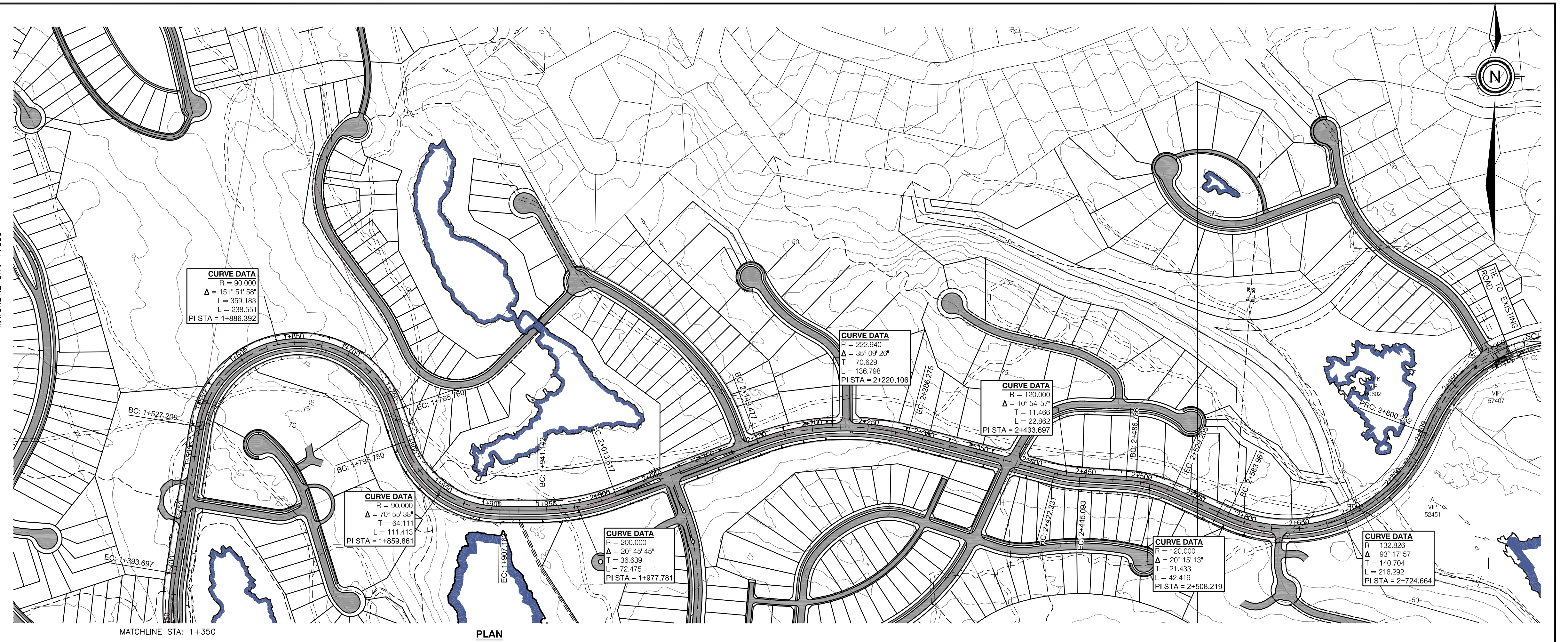
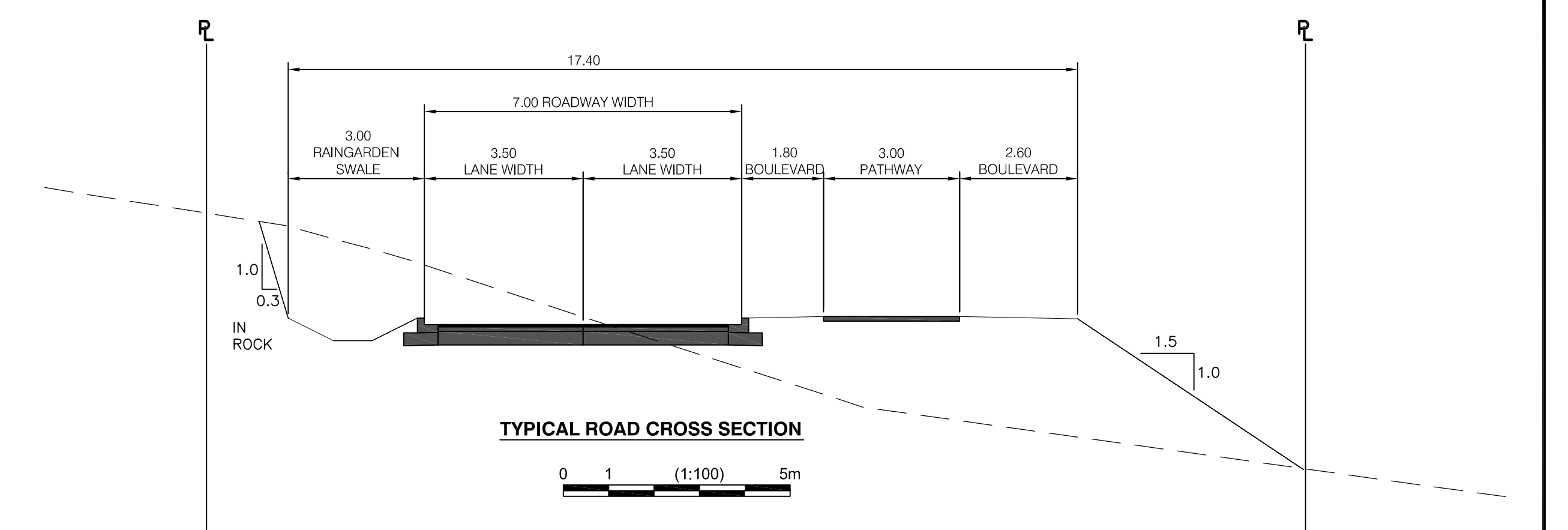


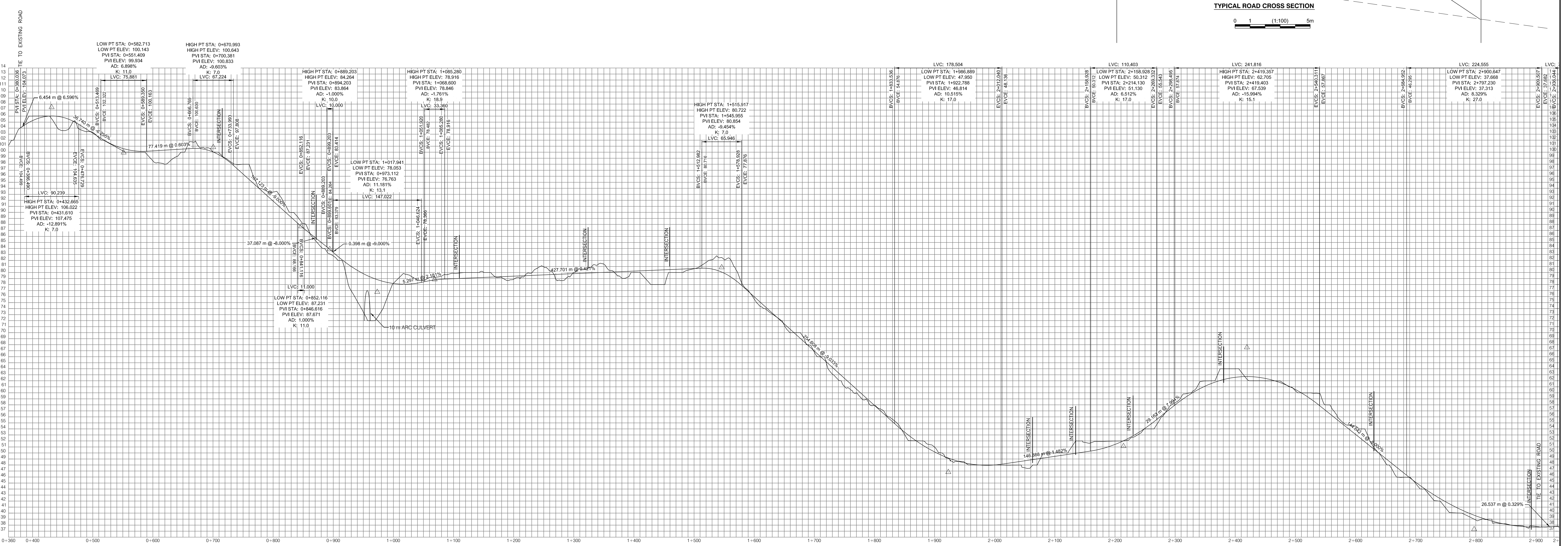
PLAN



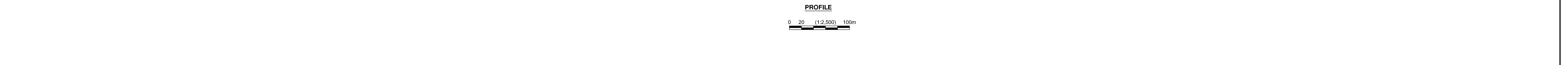
PLAN



TYPICAL ROAD CROSS SECTION



PROFILE

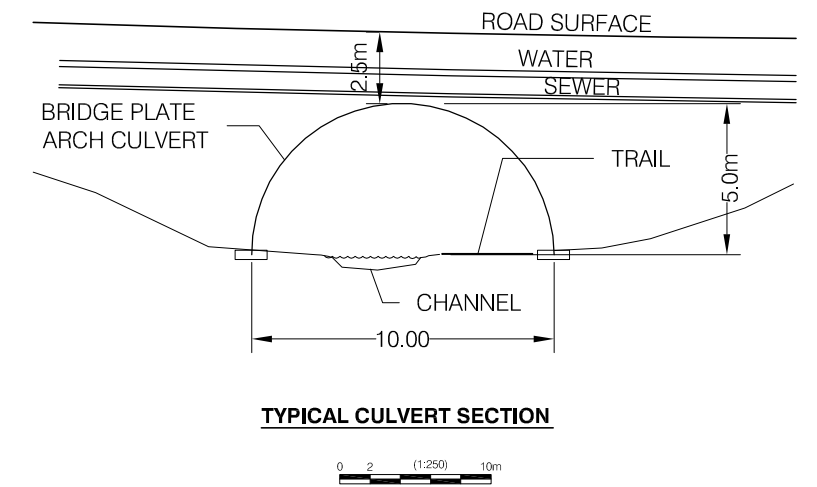
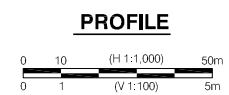
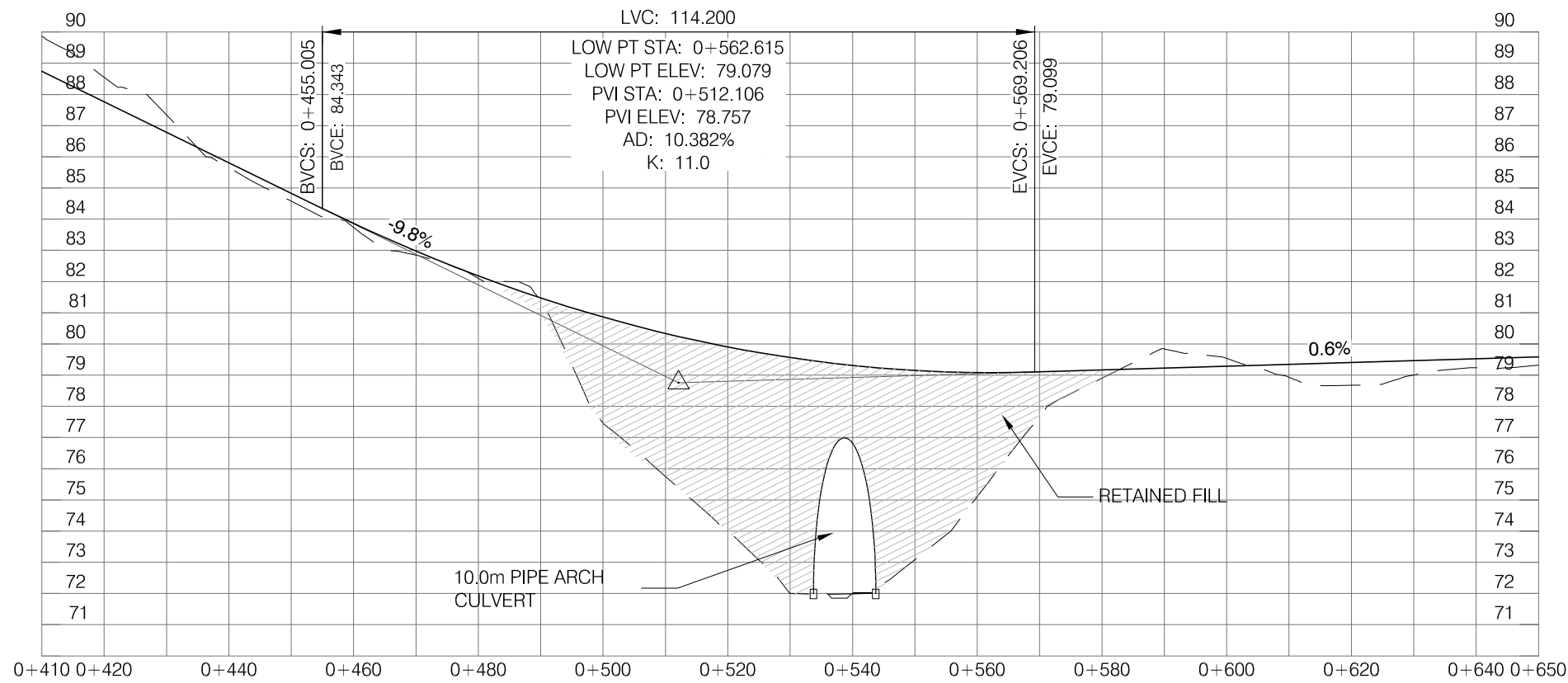
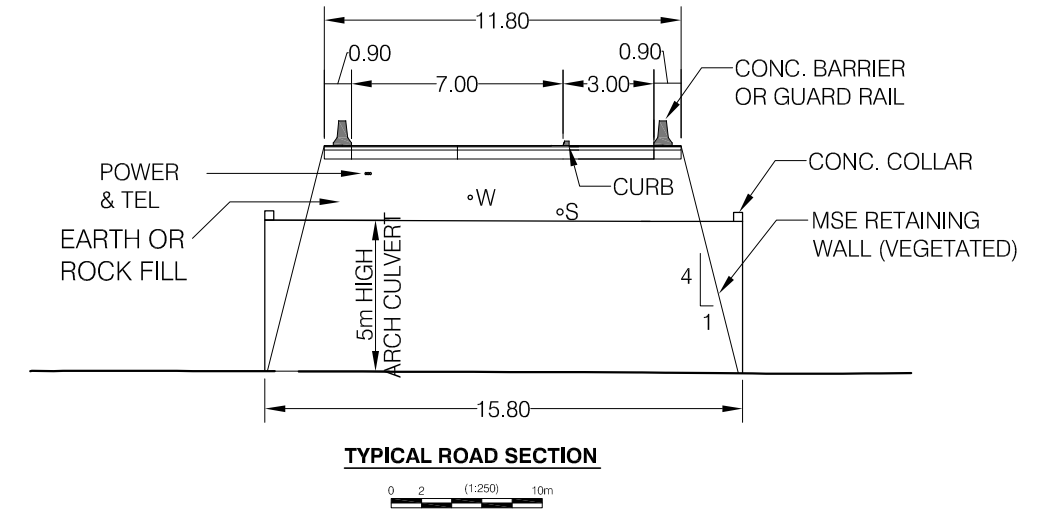
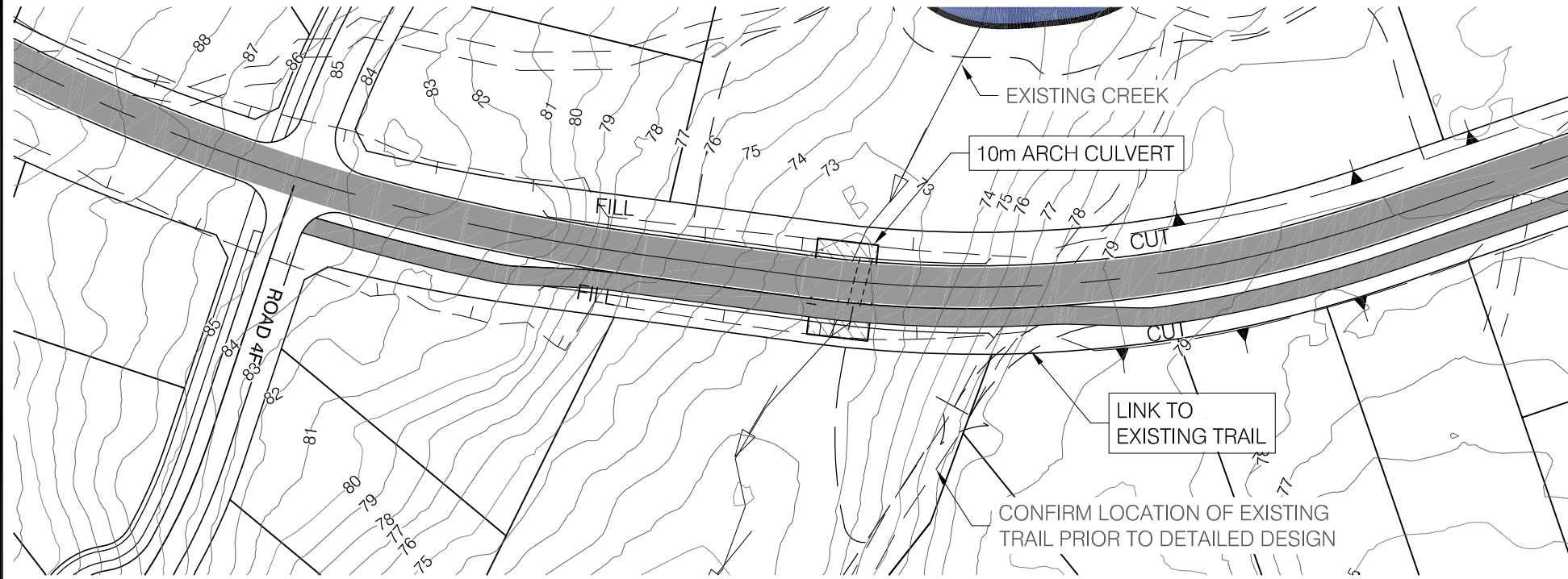


Issued For	Issue	Date	Issued By	Rev. No.	Date	Designed	Drawn	Checked	Description of Revision
Reference				0					
Approvals									
Tender									
Permits									
Construction									
Record Drawings									

KW KERR WOOD LEIDAL
CONSULTING ENGINEERS

**FAIRWINDS DEVELOPMENT
SCHOONER COVE DRIVE
PRELIMINARY DESIGN
PLAN / PROFILE**

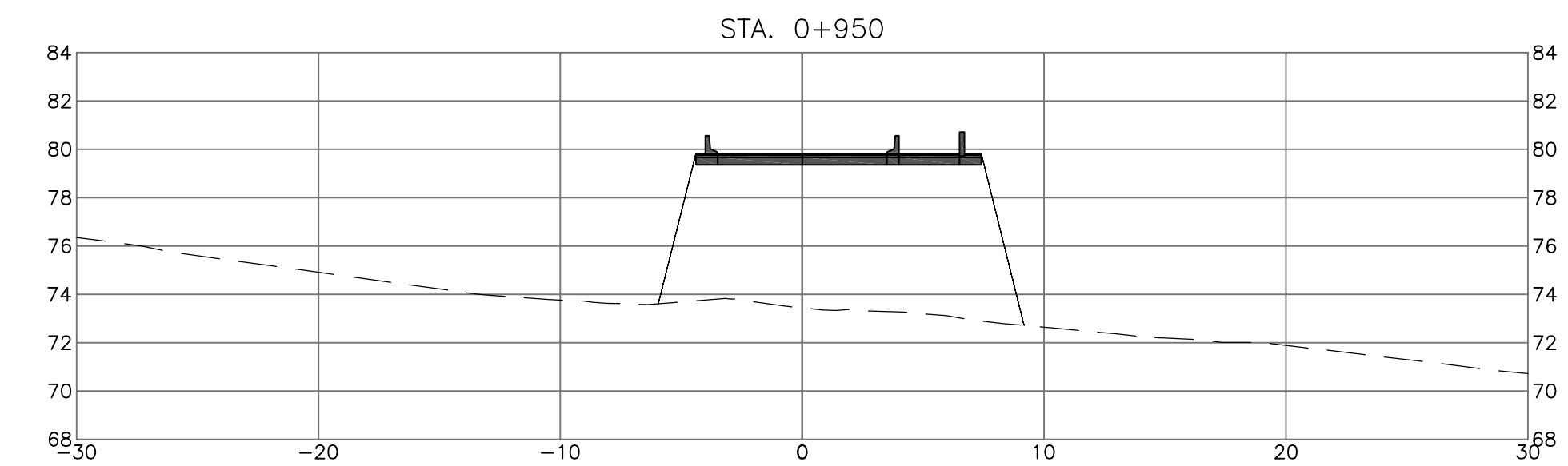
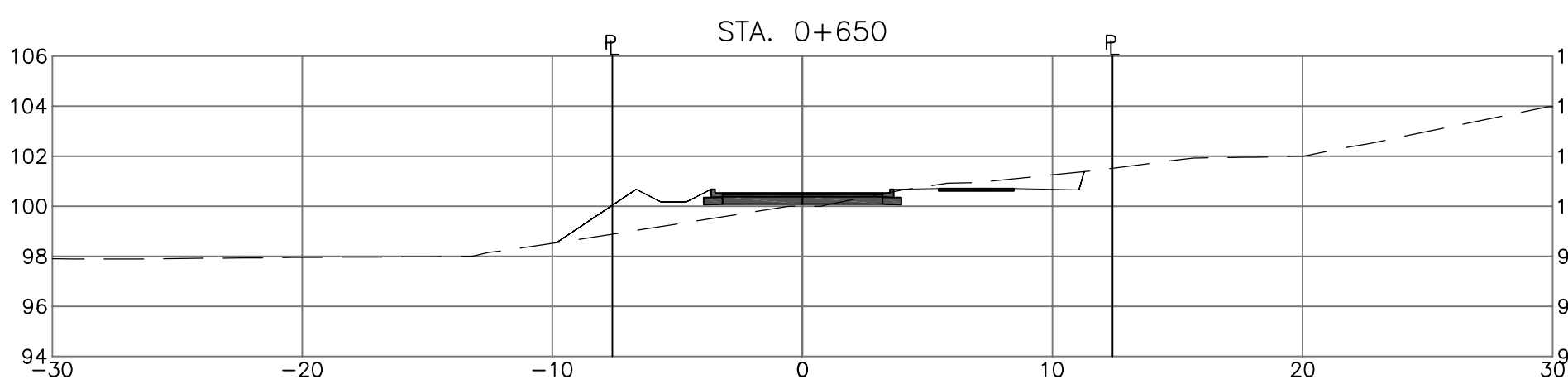
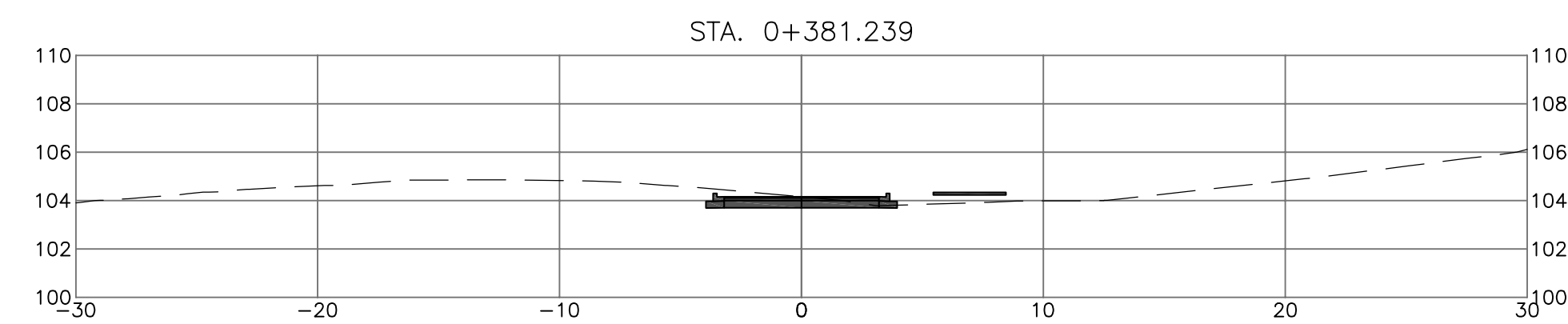
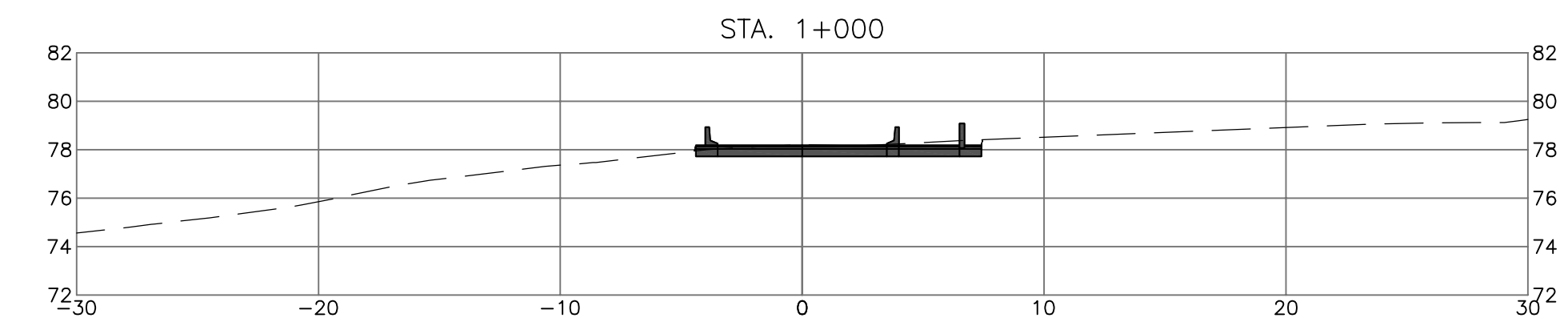
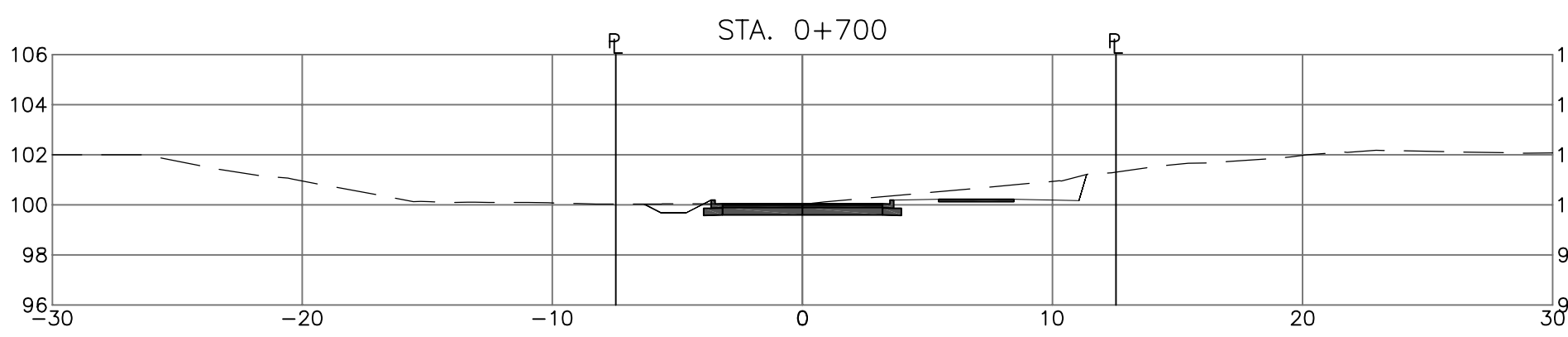
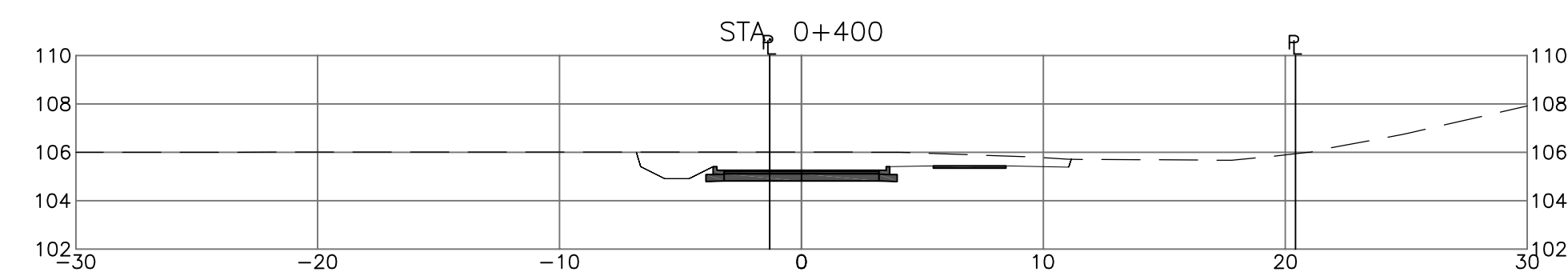
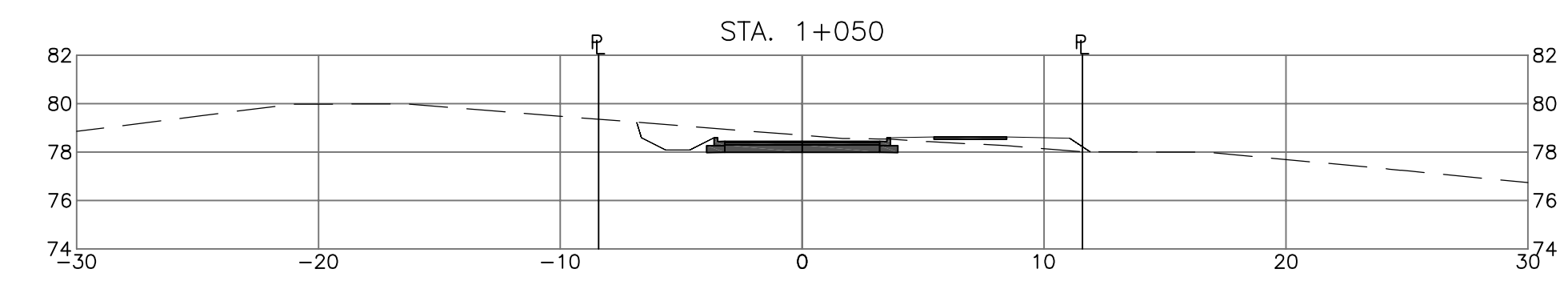
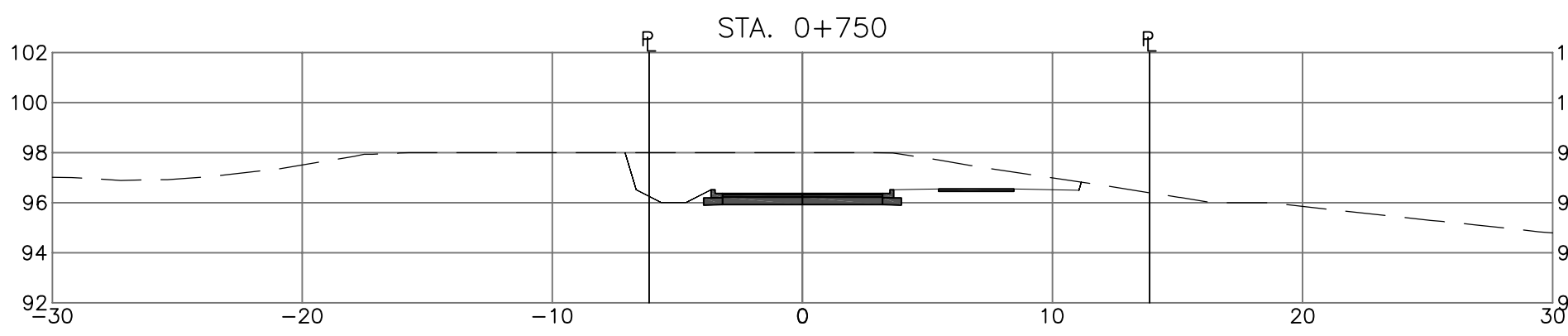
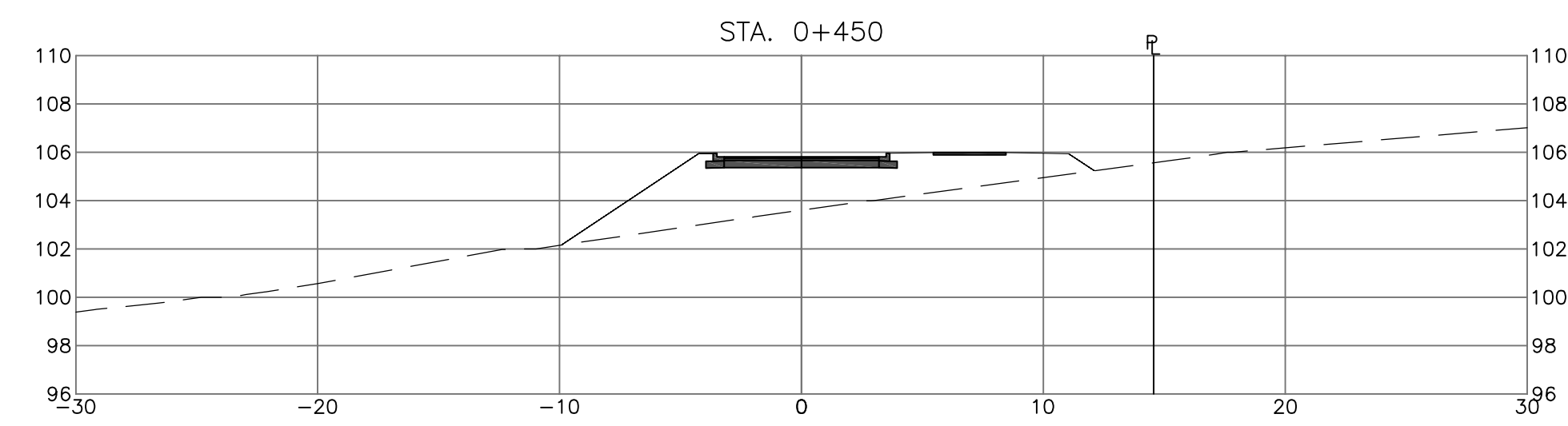
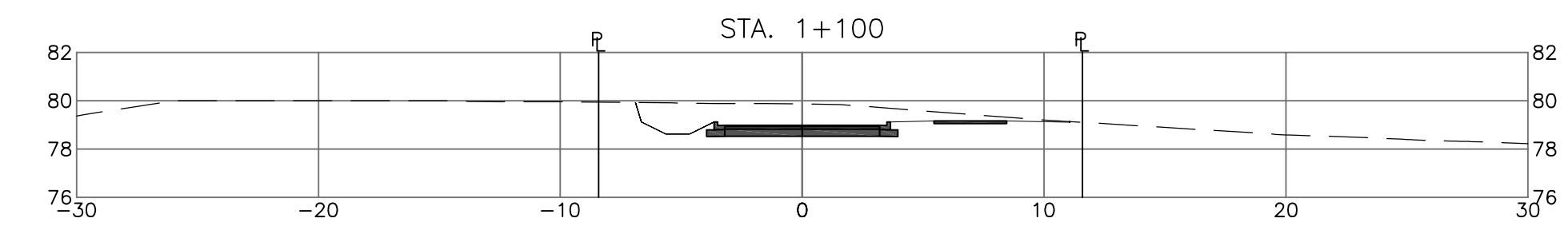
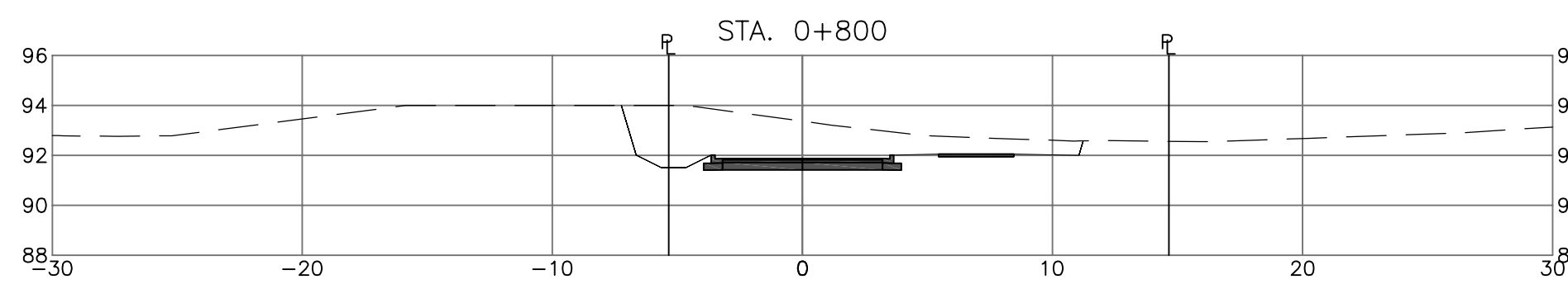
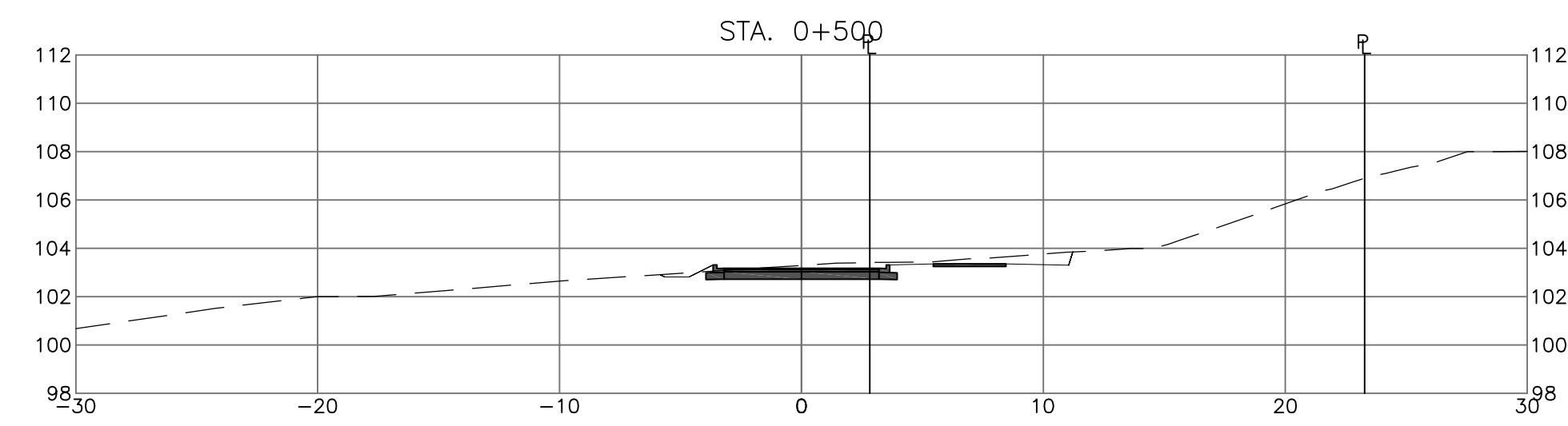
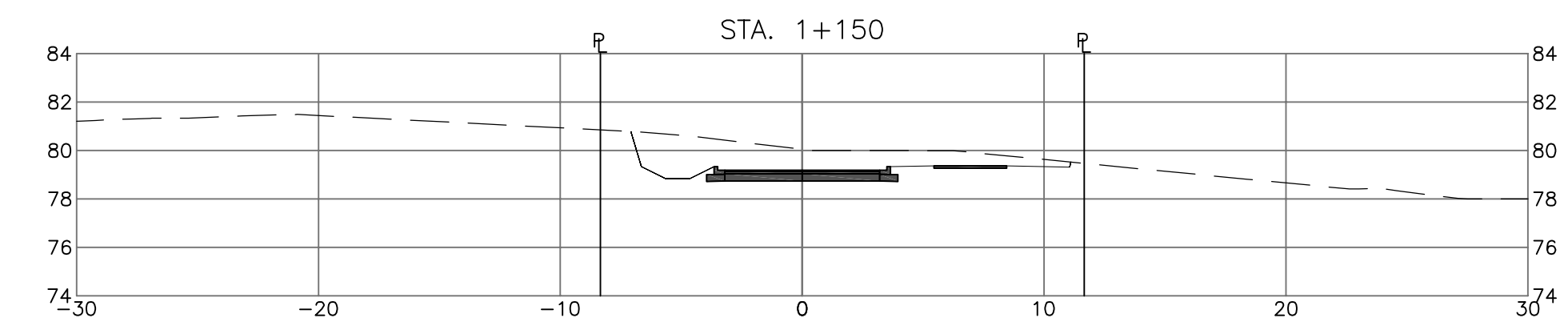
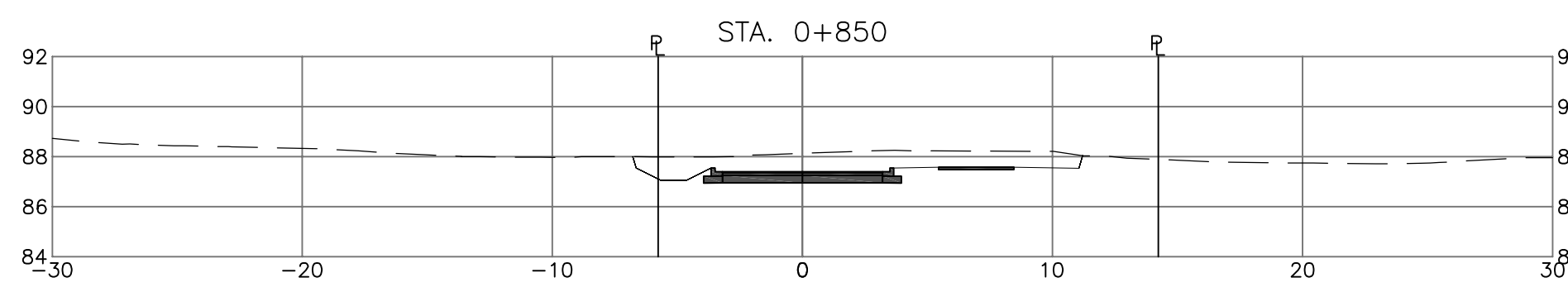
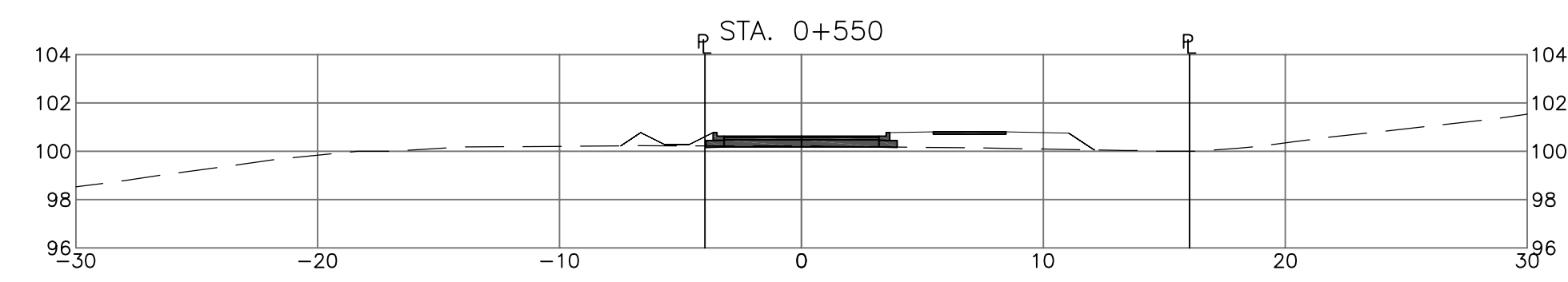
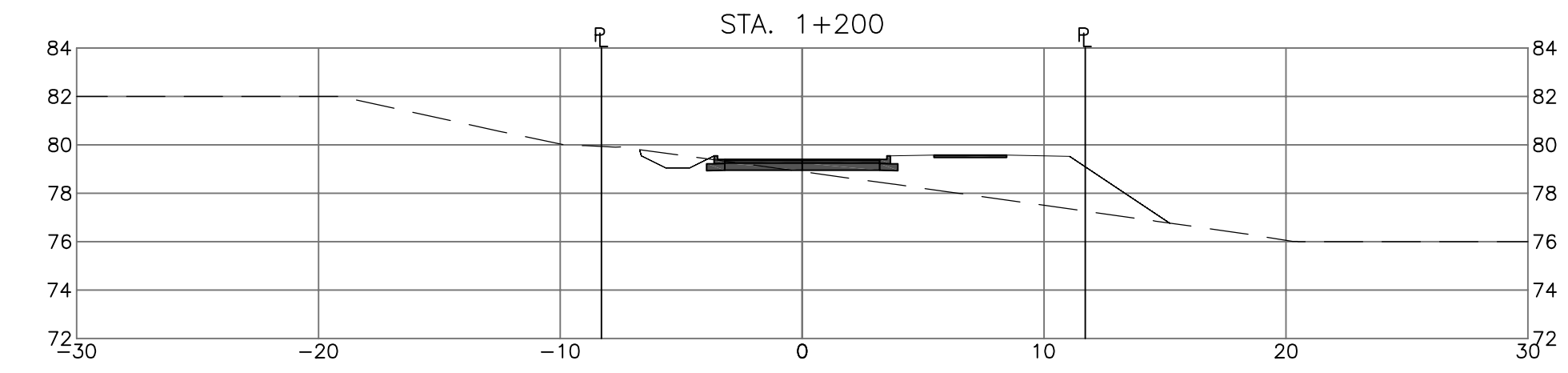
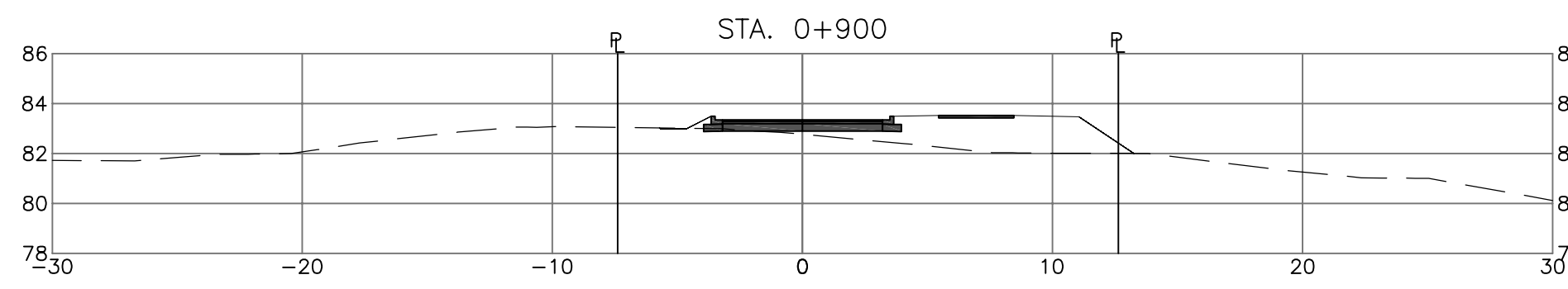
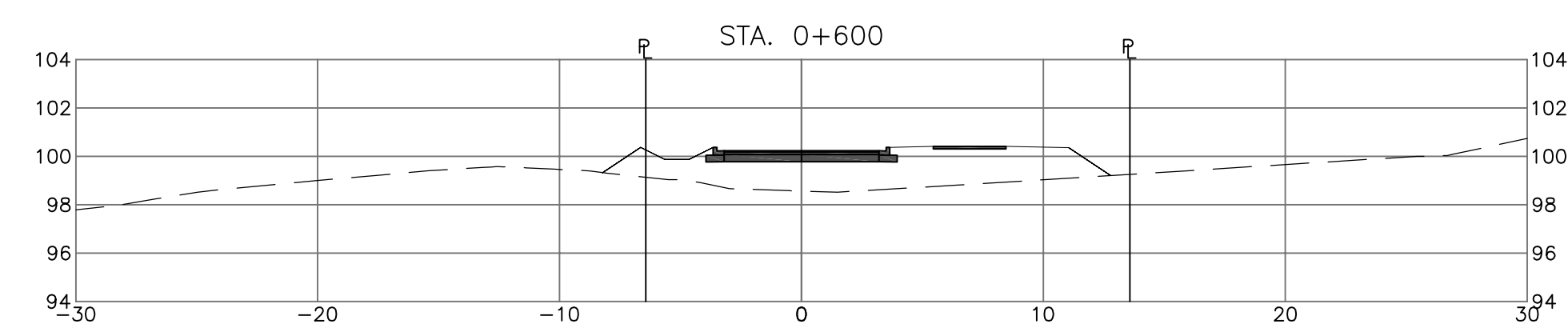
KWL Project No. 2964.001 Scale 1:2500 **FIG 3.1**
 Sheet 1 of 1 Rev. No. 0 Drawing Number
 Client: BENTALL KENNEDY, FAIRWINDS



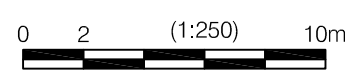
C:\200-2899-286-e01\500-Drawings\Figures\Bridges\Figure2_1-2.dwg
SAVED 25-Jun-2012 10:34 AM

SAVED 13-Jul-2012 2:23 PM AT FULL SIZE THIS BAR MEASURES 100mm. ALL SCALES REFERENCED TO FULL SIZE.

C:\2900-2990\2964-001\500-Drawings\Figures\2964-001-SchoonerDrive-Xsec-X01-X06.dwg



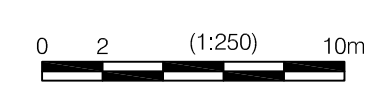
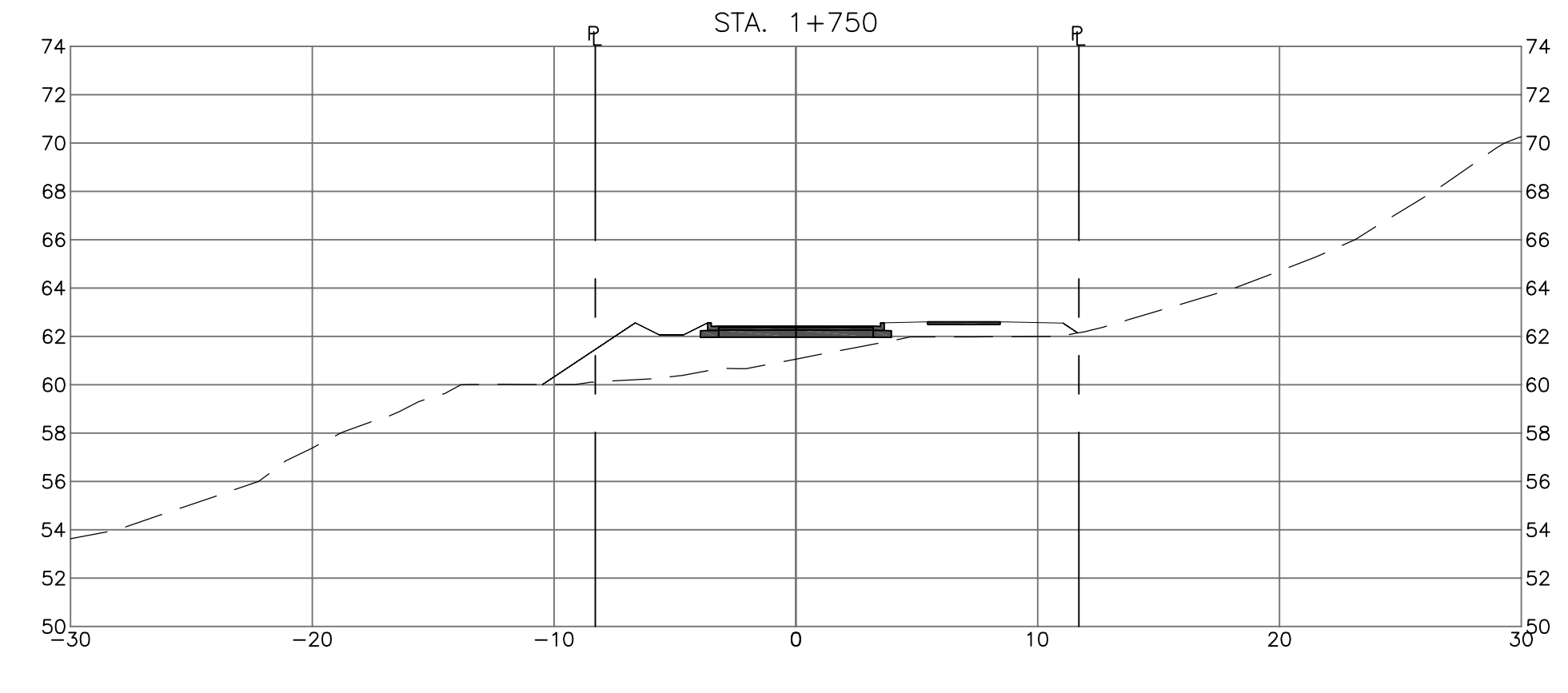
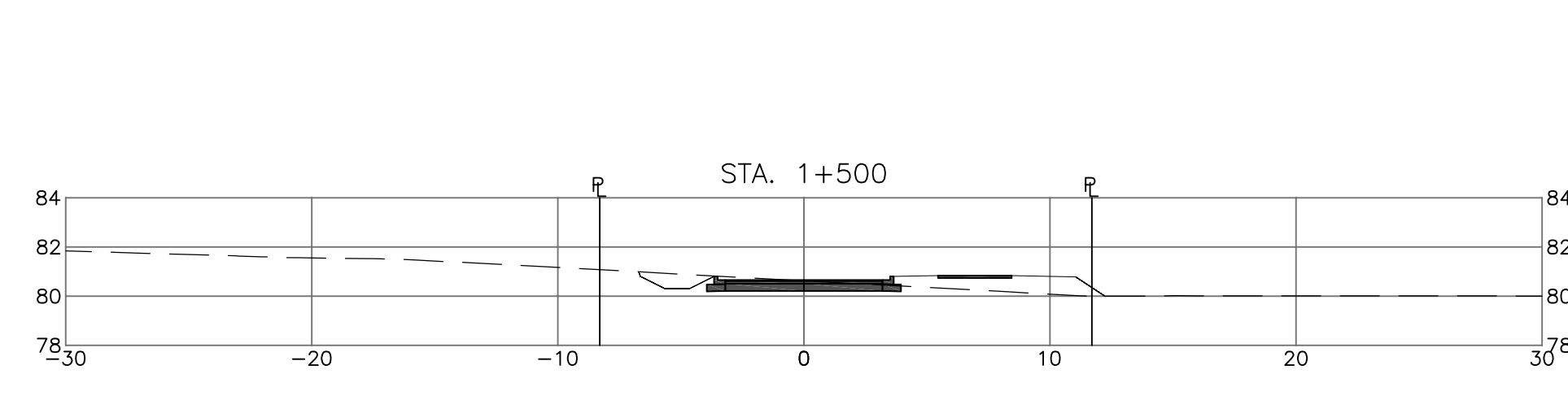
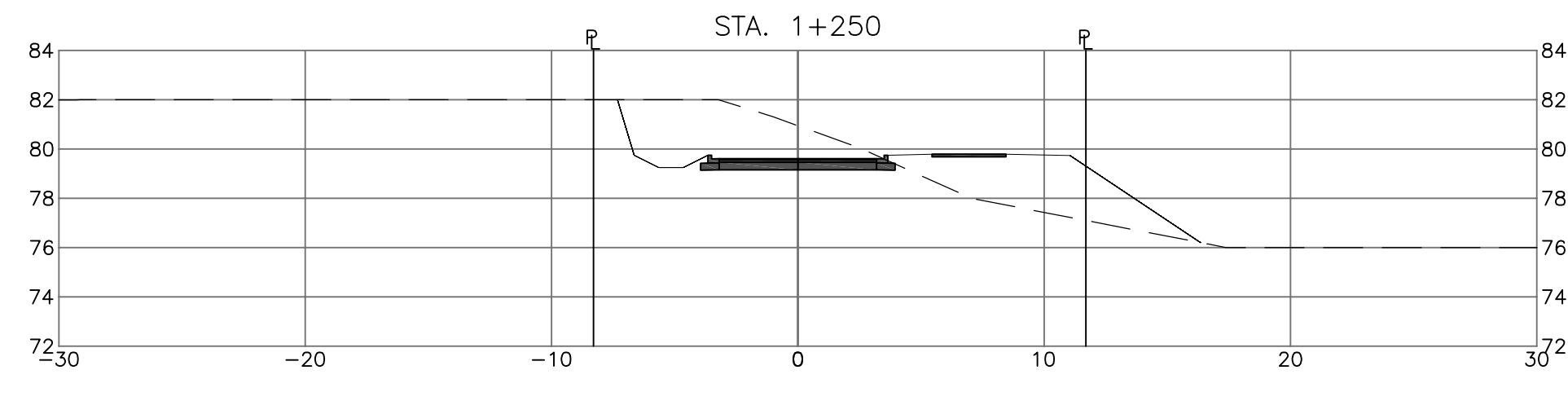
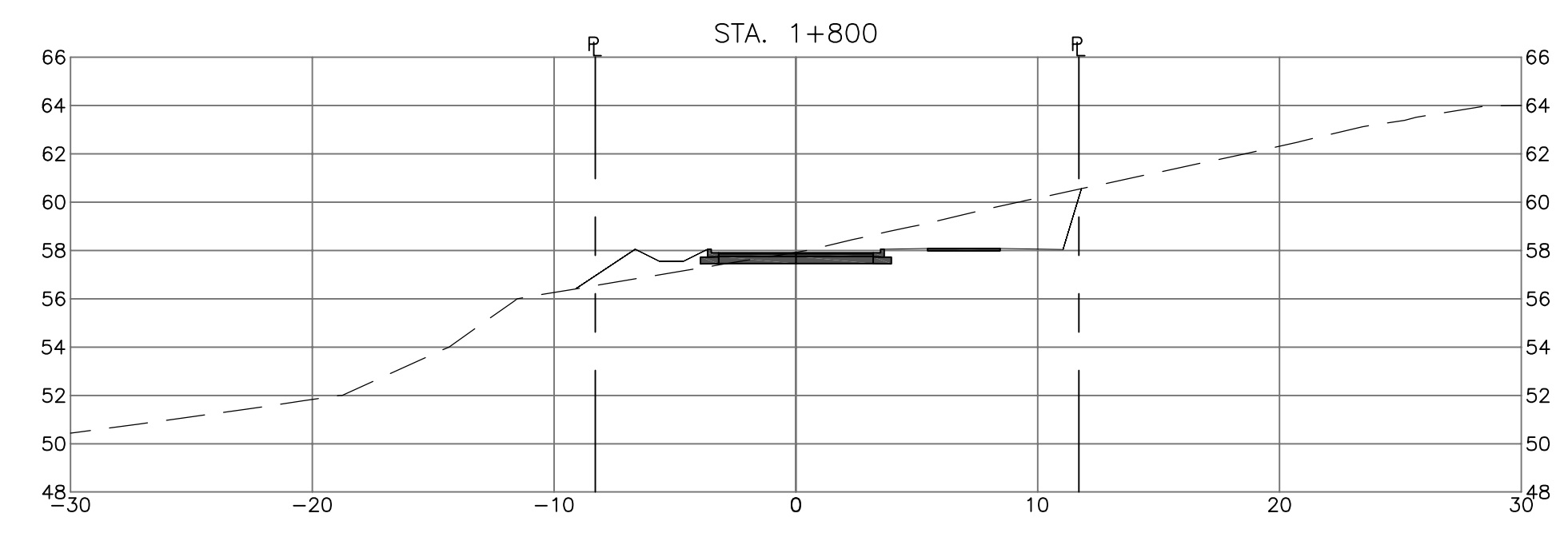
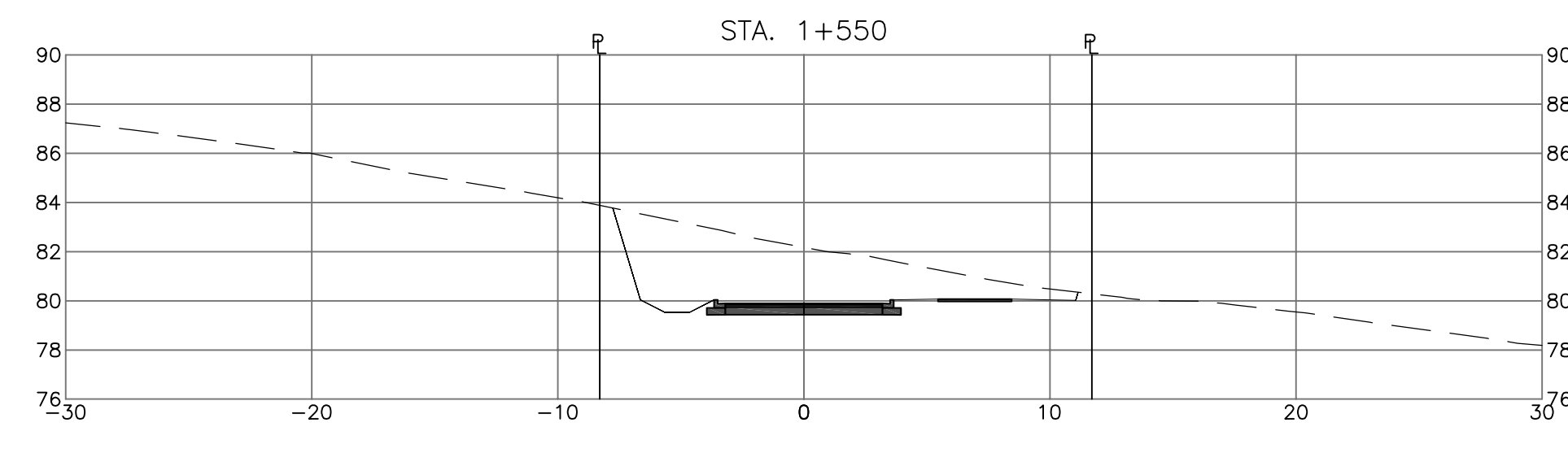
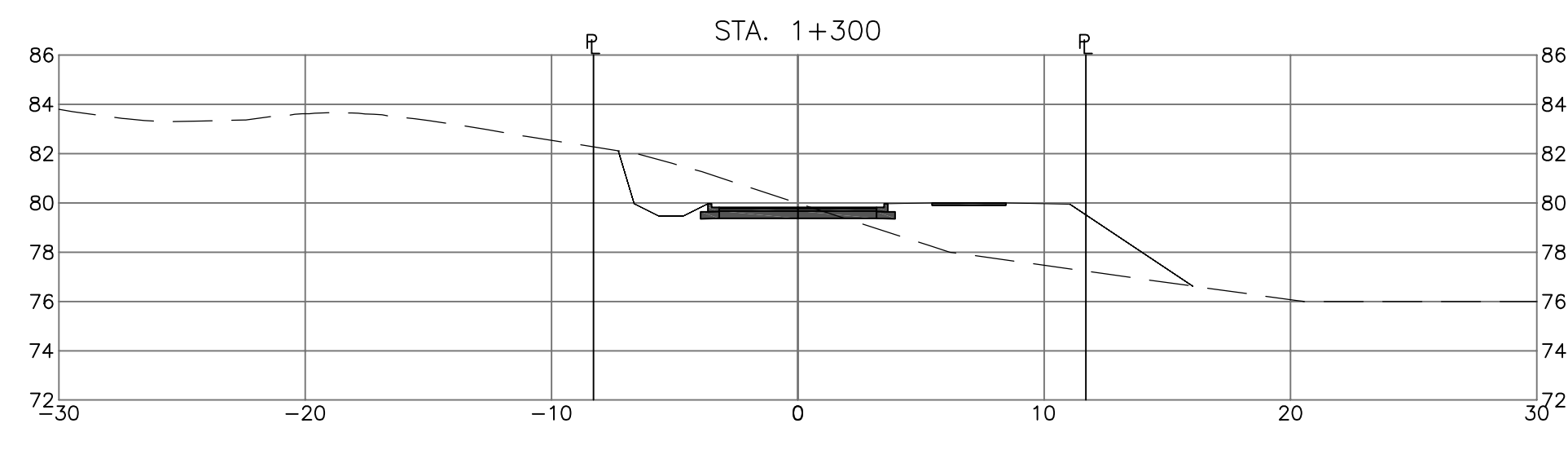
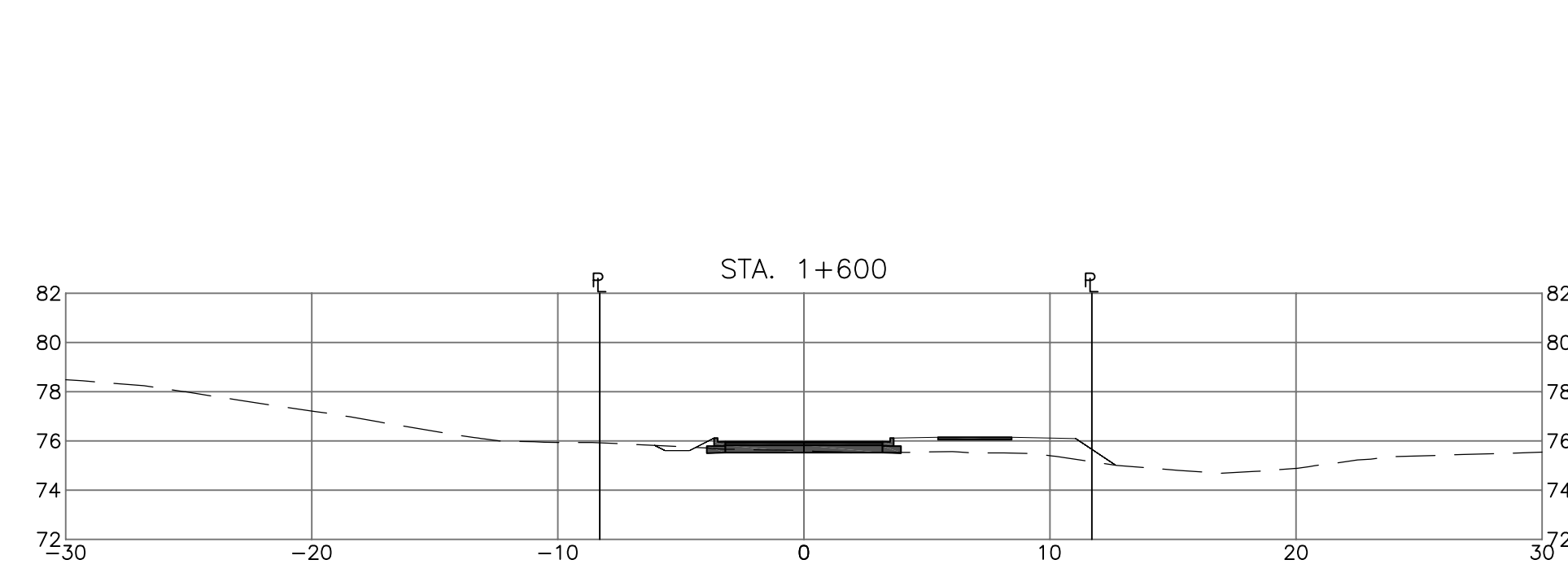
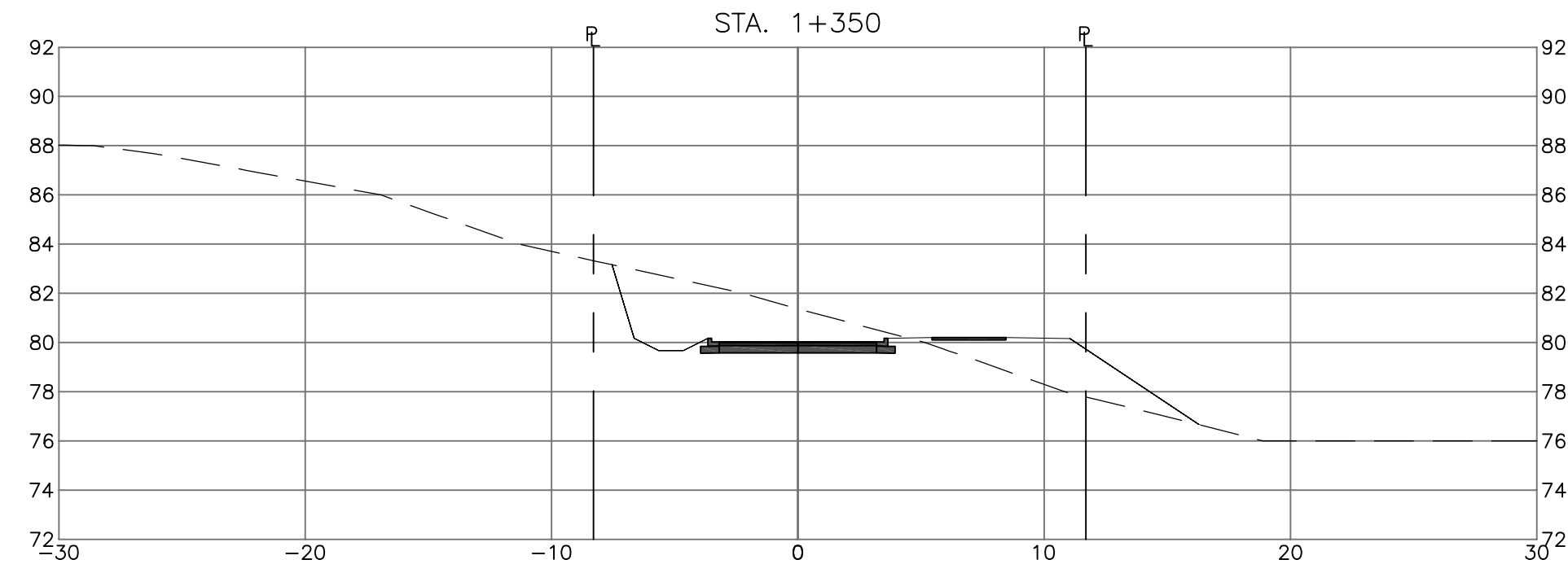
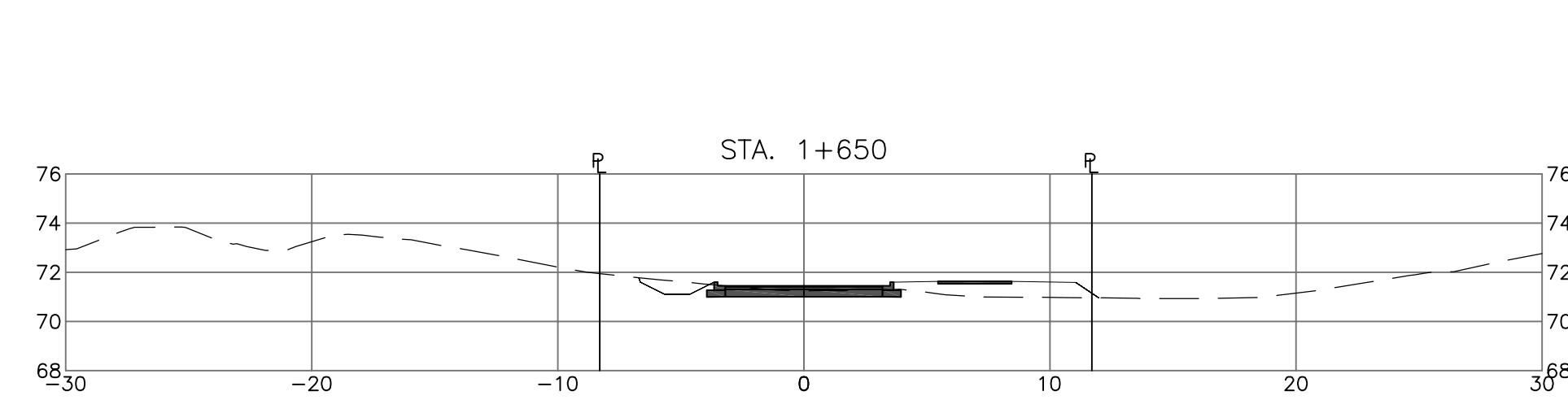
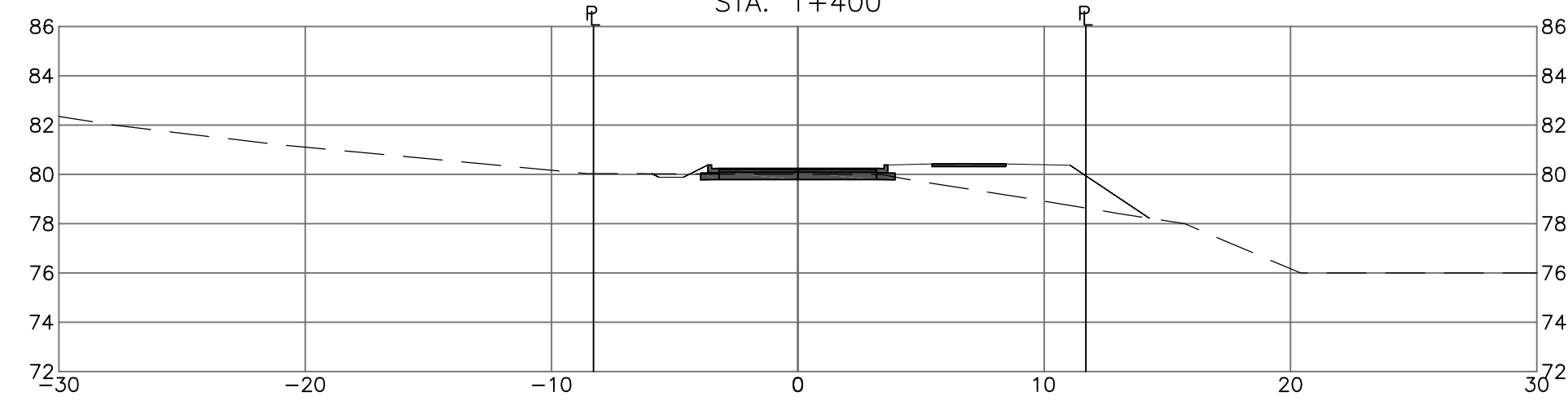
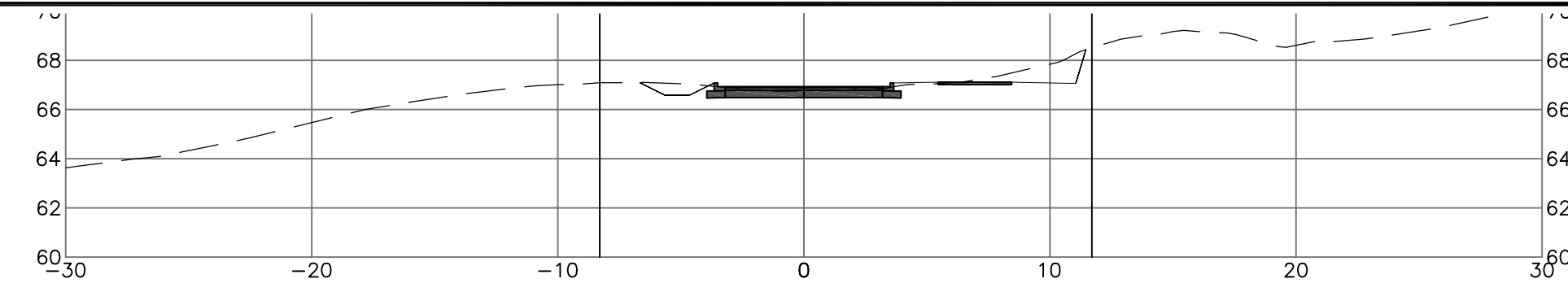
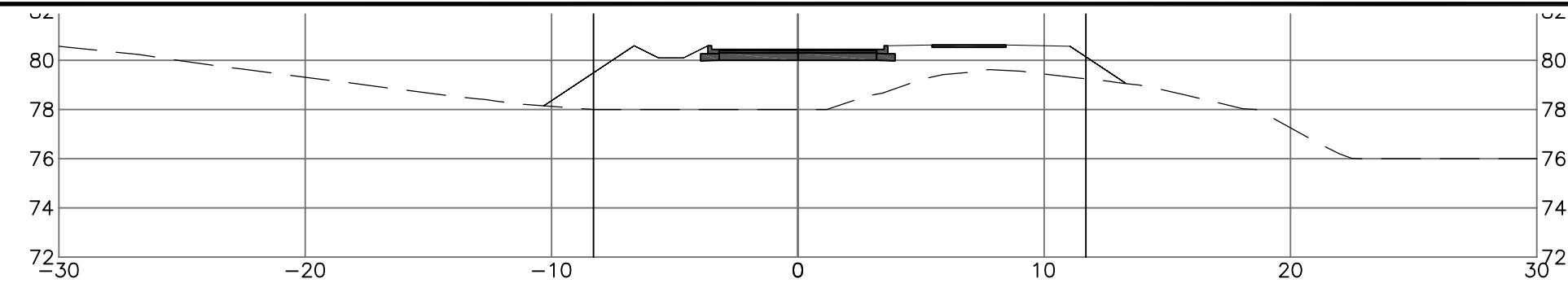
NOTE: ROAD CONSTRUCTION STARTS AT STATION 0+380.00



AT FULL SIZE THIS BAR MEASURES 100mm. ALL SCALES REFERENCED TO FULL SIZE.

SAVED 13-Jul-2012 2:23 PM

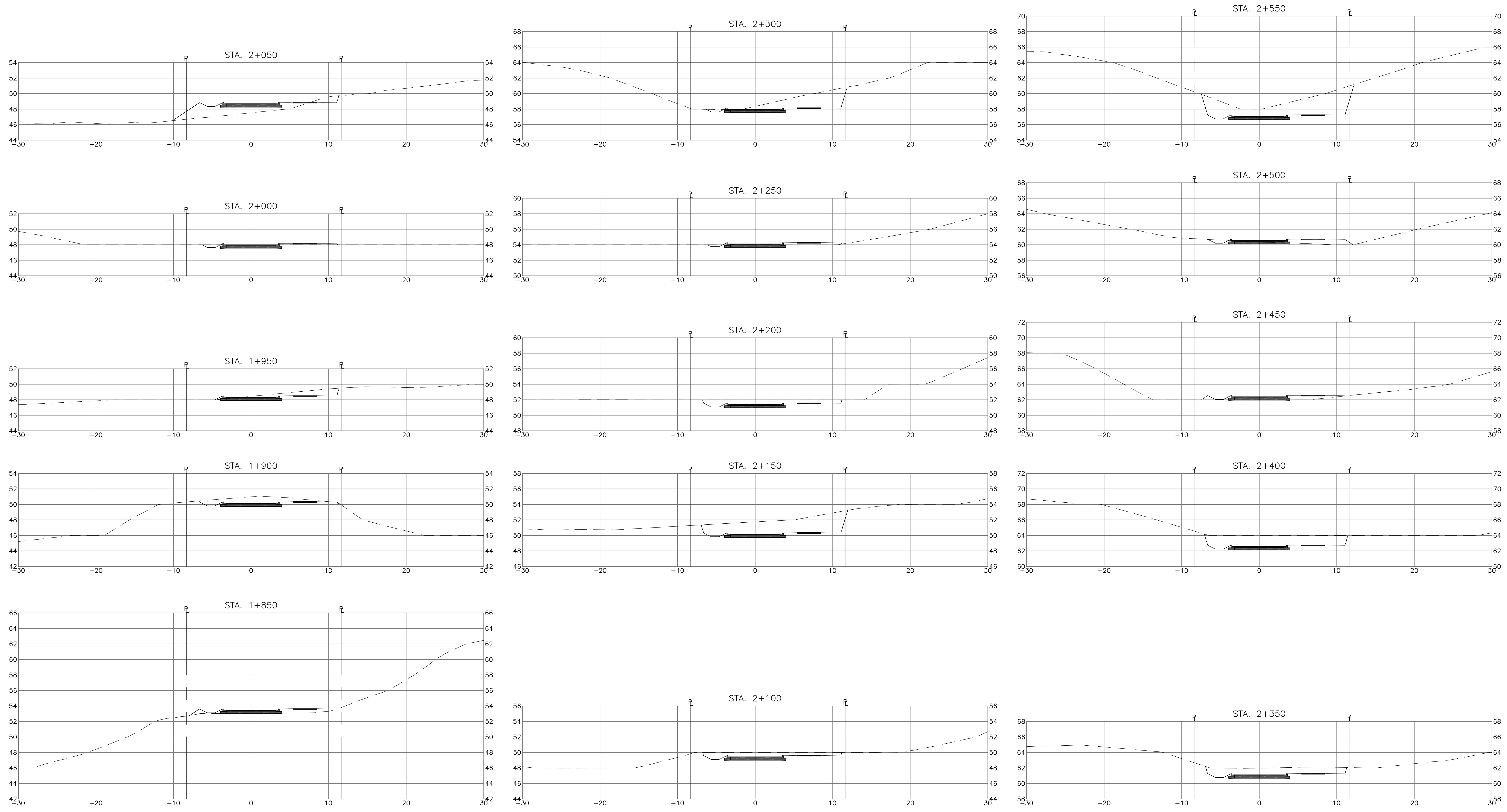
C:\2900-2990\2964-001\900-Drawings\Figures\2964-001-SchoonerDrive-Xsec-X01-X06.dwg



SAVED 13-Jul-2012 2:23 PM

AT FULL SIZE THIS BAR MEASURES 100mm. ALL SCALES REFERENCED TO FULL SIZE.

C:\2900-2990\2964-001\500-Drawings\Figures\2964-001-SchoonerDrive-Xsec-X01-X06.dwg



SAVED 13-Jul-2012 2:23 PM AT FULL SIZE THIS BAR MEASURES 100mm. ALL SCALES REFERENCED TO FULL SIZE.

C:\2900-2990\2964-001\900-Drawings\Figures\2964-001-SchoonerDrive-Xsec-X01-X06.dwg

